



NJ 208 ECPH

- Popular item
- SKF Explorer

Cylindrical roller bearings, single row

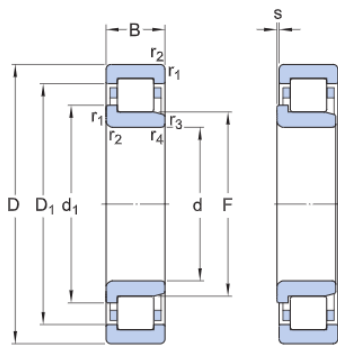
Bearing data

[Tolerances](#),
Normal (metric), P6, Normal (inch),
[Radial internal clearance](#),
cylindrical bore, tapered bore,
[Axial internal clearance](#),
NUP, NJ + HJ

Bearing interfaces

[Seat tolerances for standard conditions](#),
[Tolerances and resultant fit](#)

Technical specification

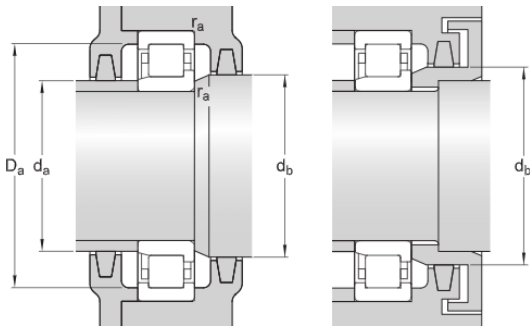


DIMENSIONS

d	40 mm	Bore diameter
D	80 mm	Outside diameter
B	18 mm	Width
d1	≈54 mm	Shoulder diameter of inner ring
D1	≈67.4 mm	Shoulder diameter of outer ring
F	49.5 mm	Chamfer dimension of loose flange ring
r1,2	min.1.1 mm	Chamfer dimension
r3,4	min.1.1 mm	Chamfer dimension
s	max.1.4 mm	Permissible axial displacement

ABUTMENT DIMENSIONS

da	min.47 mm	Diameter of spacer sleeve
da	max.48 mm	Diameter of spacer sleeve
db	min.56 mm	Diameter of shaft abutment
	max.72.8	Diameter of



Da	mm	housing abutment
ra	max.1 mm	Radius of fillet

CALCULATION DATA

Basic dynamic load rating	C	62 kN
Basic static load rating	C ₀	53 kN
Fatigue load limit	P _u	6.7 kN
Reference speed		9 500 r/min
Limiting speed		11 000 r/min
Minimum load factor	k _r	0.15
Limiting value	e	0.2
Axial load factor	Y	0.6

MASS

Mass	0.38 kg
------	---------

ASSOCIATED PRODUCTS

Angle ring	HJ 208 EC
------------	-----------